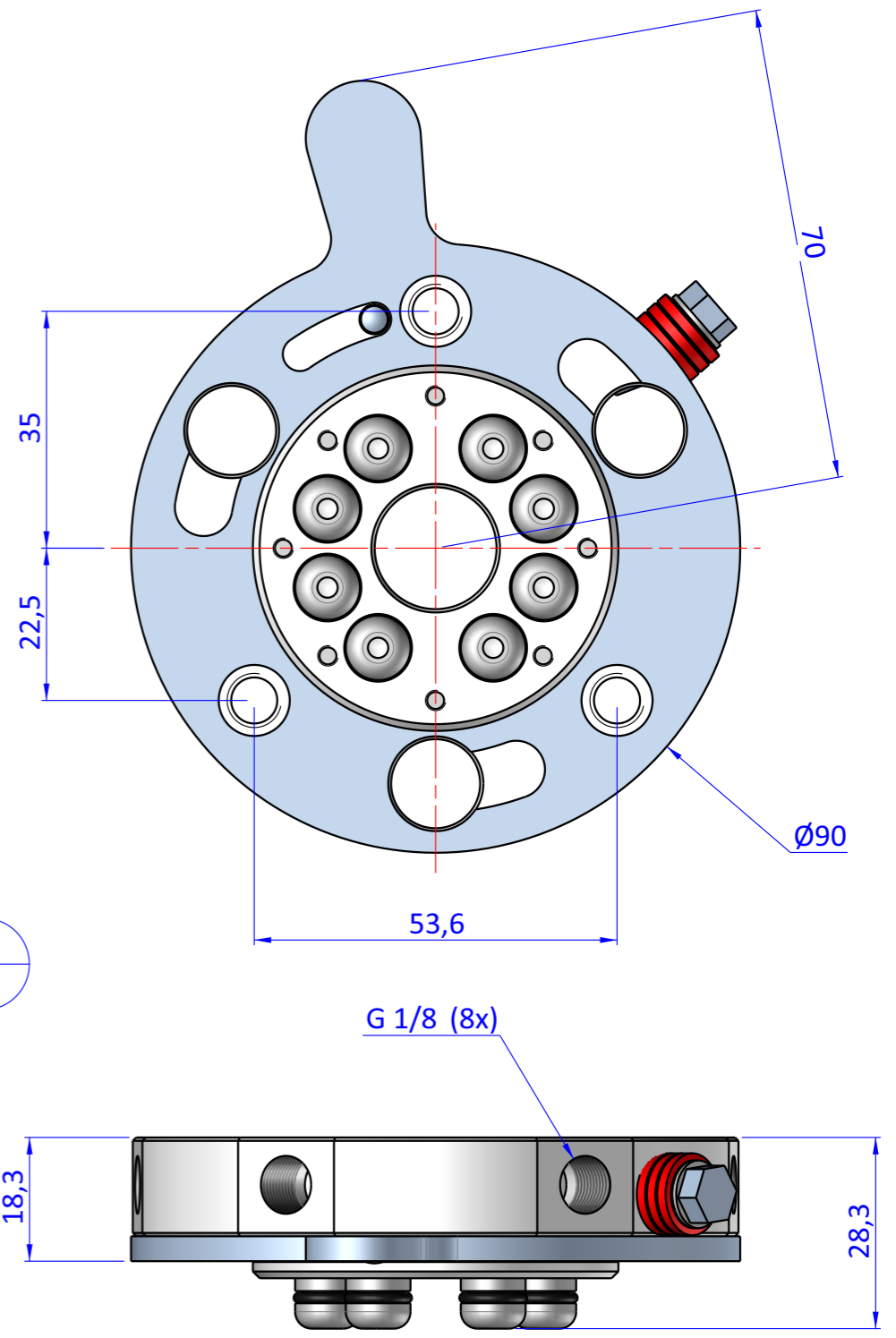
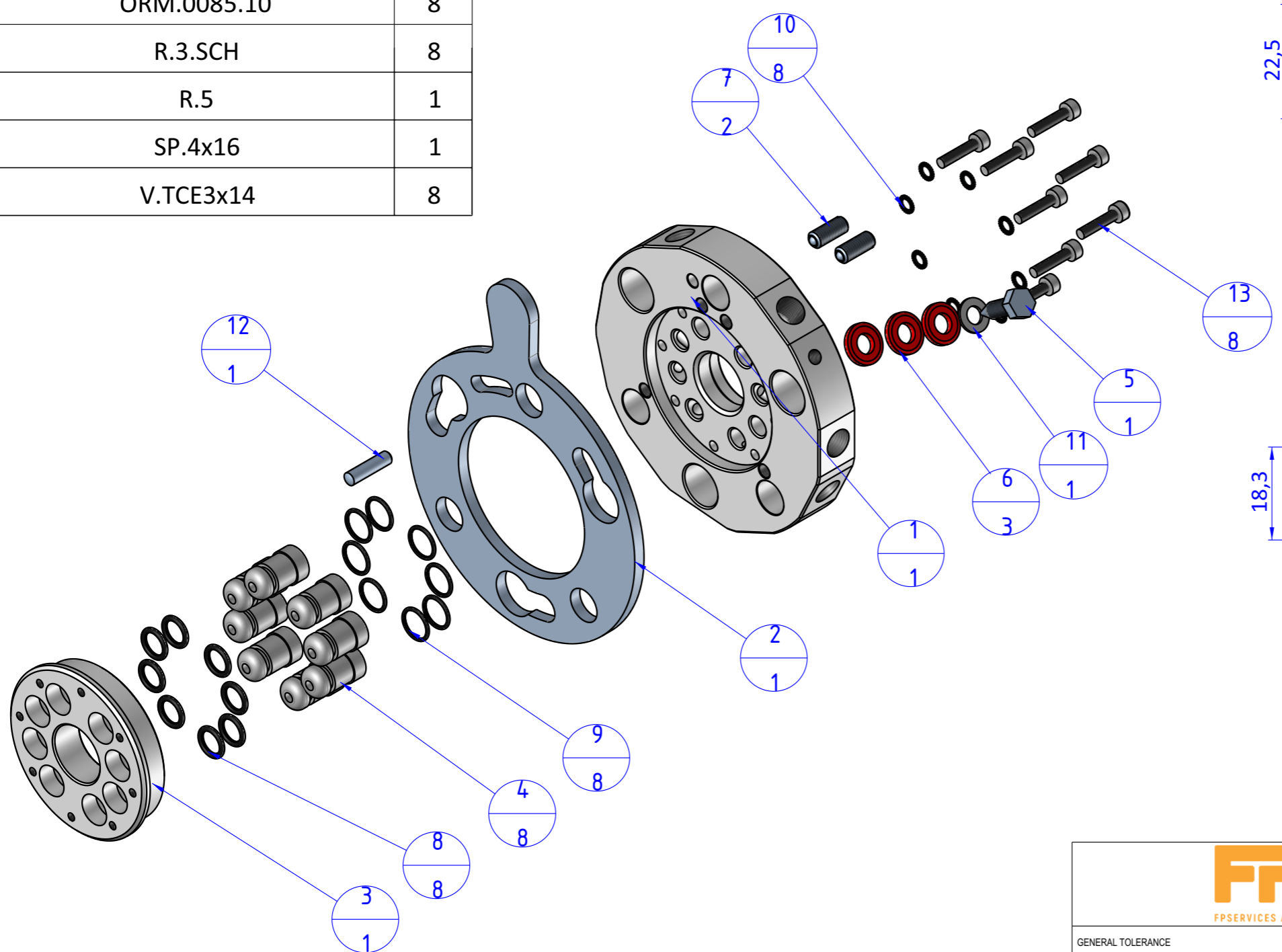



THE PROPERTY OF THE DRAWING IS ESTABLISHED BY LAW. IT IS FORBIDDEN TO PRODUCE OR SHOW IT TO THIRD PART - WITHOUT A WRITTEN AGREEMENT.

Item	Name	Q.ty
1	01.01.001.01	1
2	01.01.001.02.L	1
3	01.01.001.03	1
4	01.01.001.04	8
5	01.01.001.08	1
6	CUDL.150.06	3
7	EL.GN615M5K	2
8	ORM.0070.15	8
9	ORM.0085.10	8
10	R.3.SCH	8
11	R.5	1
12	SP.4x16	1
13	V.TCE3x14	8



Format A3  
UNI 936-76

 <b>FPS</b> FPSERVICES AUTOMATION		DESIGNED FROM		REVIEW
		FPS Automation		A
GENERAL TOLERANCE		DATE		WEIGHT
UNI - ISO 2768		06/05/2022		0,319kg
CLASSE f		CODE		
		CA.01.01.001		CA.01.01.001